

415

for swing gates
with single-leaf max length of 3 m (415) and 4 m (415 L)



- Operator with **IN AXIS** thrust
- Available with rod stroke 300 mm (leaf max 3 m) and 400 mm (leaf max 4 m)
- Available with and without limit switch
- Coupling of the half-bodies by gasket
- Release device-key protected and easy to operate
- Numbered locks 1-36 (optional)
- Opening-closing limit switch (Mod. LS) 24 Vdc power supplied to guarantee the highest security
- Management of the limit switches: stops and deceleration
- Horizontal cable exit for installations close to the ground
- Predisposition for the use of the "Gatecoder" deceleration kit
- High precision micrometric limit switches, frontal adjustment
- Rod protective housing (optional for the models 300 mm)



■ Release device-key protected and easy to operate



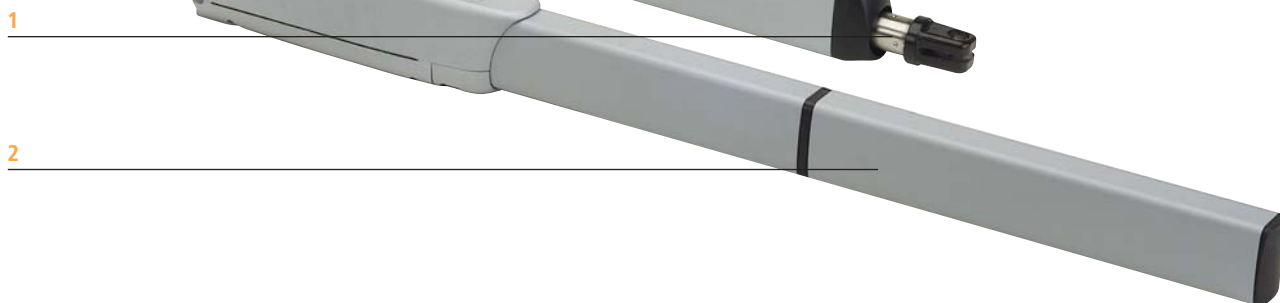
■ Horizontal cable exit for installations close to the ground



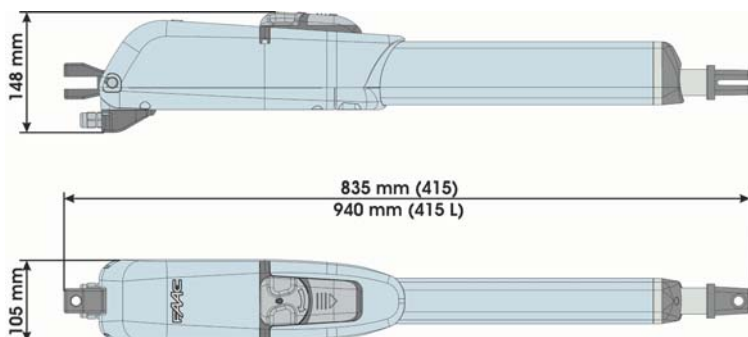
■ High precision micrometric limit switches, frontal adjustment (415)



- 1 Operator with "in axis" thrust
- 2 Rod protective housing (optional for the models 300 mm)



DIMENSIONS



Values in mm

Model	Use	
	Single leaf max length (m)	Use frequency (cycles/hour)
415	3,00	~ 30
415 LS	3,00	~ 25
415 L	4,00	~ 30
415 L LS	4,00	~ 25

Technical specifications	415	415 LS	415 L	415 L LS
Power supply	230 Vac			
Absorbed power	300 W			
Absorbed current	1,3 A			
Thermal protection	140° C			
Starting capacitor	8 µF			
Thrust force	300 daN			
Piston rod length	300 mm		400 mm	
Rod extension speed	1,6 cm/sec			
Single leaf max length	3 m*		4 m**	
Type and use frequency at 20° C	S3 - 30%	S3 - 35%	S3 - 30%	S3 - 35%
Minimum cycles/hour at 20°C	~ 30		~ 25	
Operating ambient temperature	-20° C ÷ +55° C			
Operator weight	7,8 Kg		8 Kg	
Dimensions (LxWxD) in mm	831 x 105 x 148		940 x 105 x 148	
Protection class	IP 44			
Limit switches	NO	YES	NO	YES

* For leaves exceeding the length of 2,50 m (each leaf) an electric lock is necessary

**For leaves exceeding the length of 3 m (each leaf) an electric lock is necessary