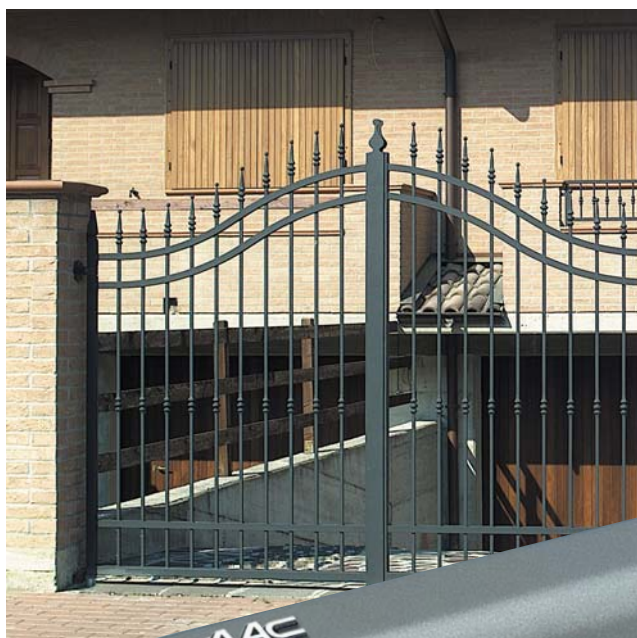


# DOMO swing T WITH TRANSFORMER

for residential swing gates  
with single leaf length of 1.8 m and max weight of 250 kg



### ■ Technological innovation

Technological innovation and a very stylish look are combined in a single high quality operator. This operator is aimed at residential applications for gates with leaves of up to 1.8 m in length and maximum weight of 250 kg per leaf.

### ■ Attractive, futuristic styling

Body in treated, powder painted die-cast aluminium, to provide extra dimensional stability, sturdiness and rigidity. Compact-size, attractive, futuristic styling

### ■ Quick and simple installation

The mechanical fastening of the operators, by means of screws, is based on a simple concept, with flexible installation dimensions. As the work cycle is learned automatically, this enables immediate programming of the automated system. In any case, for those preferring to customise the operation of the automated system (gate speed, travel-limit decelerations, etc.), manual programming with "LEDs and push-buttons" is quick and easy.

### ■ Heavier duty cycle

The automation DOMOLINE T can fit to the exigencies in the applications of estates with 2-3 families; the use frequency suggested to maintain the system in full efficiency is about 15 cycles/hour. The system allows to execute up to 30 consecutive cycles.



■ Treated and powder painted die-cast aluminium body



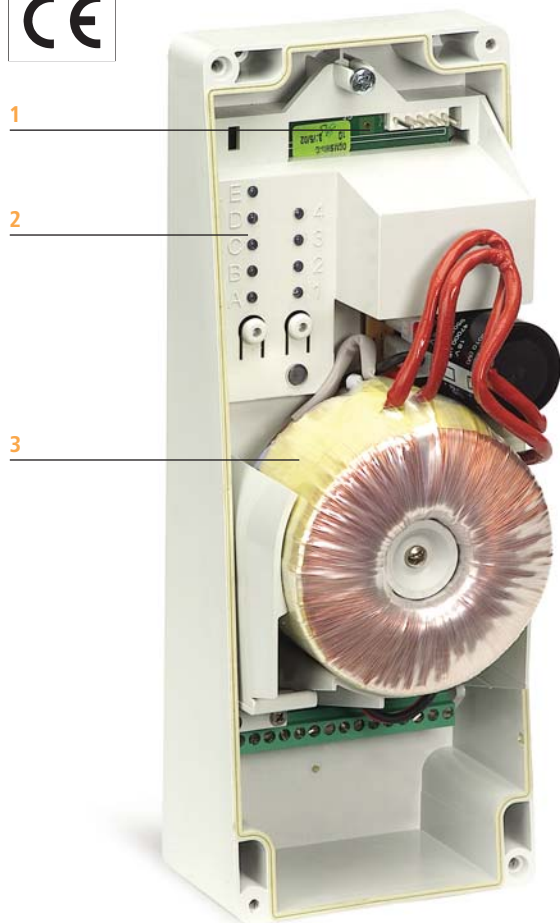
■ Front fitting suitable for screw fixing



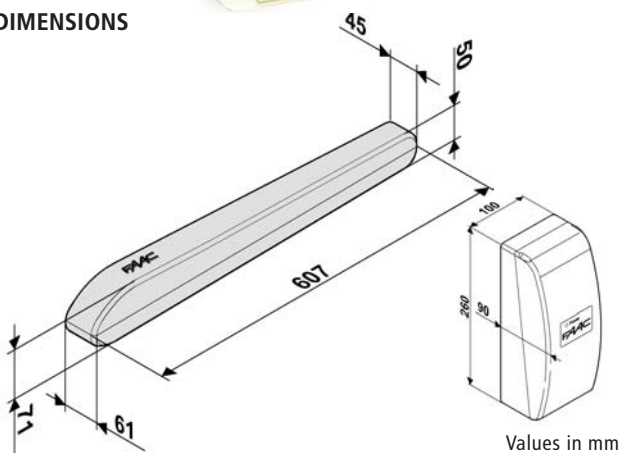
■ "More position" rear fitting suitable for screw fixing



■ Hexagonal key unlock release for manual use



**DIMENSIONS**



Technical specifications	DOMO Swing-T
Power supply voltage	12 Vdc
Rated absorbed power	48 W
Max static force	1000 N
Load-free linear speed (cm/sec)	3,2
Rod effective stroke	280 mm
Duty cycles (cycles/hour)*	15
Consecutive cycles	30
Recharging time	2' for every cycle effected
Operating ambient temperature	-20°C ÷ +55°C
Operator weight (kg)	2,2
Protection class	IP 44
Leaf max length (m)	1.80
Leaf max weight (kg)	250
Max opening angle	100°

(\* ) The cycles/hour are just an indication for the full efficiency of the automation. The use frequency satisfies the residential application.

- 1 Quick connector for RP radio receivers or decodification cards
- 2 Programming push-buttons and leds
- 3 230 Vac/12 V 180 VA transformer low consumption
- 4 ABS plastic enclosure to guarantee a long lasting aesthetics
- 5 Indication led (main power supply and diagnostic)



Shared characteristics of MASTER-T/SLAVE-T Boards	
Transformer	Toroidal 230 Vac/12 V 180 VA low consumption
Enclosure protection class	IP 55
Absorbed power	180 VA
Motor max current	15 A
Operating ambient temperature	-20°C ÷ +55°C
Protection Fuses	N° 1 - 20 A
Anti-crushing function	Encoder/current control

Technical specifications	MASTER-T Board
Power supply	From transformer
Technical specifications transformer	Primary 230 vac Secondary 12 Vac - 180 Va
24 Vdc Accessories max load	150 mA
Rapid connector max load	50 mA
Function logics	Automatic/Stepped Automatic/Safety/Stepped Semi-automatic
Opening/closing time	By self-learning
Pause time	5,10,20,30 sec selectable
Opening and closing leaf delay time	(op. 0s, cl. 0s)/(op. 2s, cl. 2s)
Speed	Selectable on 4 levels
Static force adjustment	Selectable on 4 levels

**Terminal board inputs** - Open/ Free leaf Open /Stop/ Op. Safety devices /Cl. Safety devices

**Terminal board outputs** - Flashing lamp/Motor/Bus / Indicator-light/24 Vdc - 12 Vdc power supply for accessories

**Rapid connector** - Minidec cards - RP cards

**Programmable functions** - Logic/ Pause time / Op. and Cl. leaf delays/Anti-crushing force/Operators speed

Technical specifications	SLAVE-T Board
Power supply	from transformer
Terminal board outputs	Motor
Terminal board inputs	Power Supply unit/Bus

Model	Use			Control board
	Single leaf max length (m)	No. of leaves	Use frequency (cycles/hour)	
DOMO Swing T	1,80	1	15	Not included